

APL2200 SERIES



APL2200 series amplifiers are designed to produce up to 150 mJ picosecond pulses at kilohertz pulse repetition rate. Short pulse duration, excellent pulse-to-pulse stability, superior beam quality makes APL2200 series diode pumped picosecond amplifiers well suited for applications like OPCPA pumping, non-linear optics and others.

Regenerative amplifier / Power amplifier design

APL2200 series amplifiers consist of regenerative amplifier and power amplifiers. System could be seeded by built-in picosecond oscillator or other ultrafast laser system. Pulses from regenerative amplifier are spatially shaped and amplified in double-pass amplifiers with thermally induced birefringence compensation. Advanced optical design ensures smooth, without hot spots beam spatial profile at the laser output. Low light depolarization level allows high efficiency generation of up to 4th harmonic with build-in harmonic generators. Repetition rate and timing of the pulses can be locked to the external RF source (with –PLL option) or other ultrafast laser system (with –FS option).

Build-in harmonic generators

Angle-tuned LBO and/or BBO crystals mounted in temperature stabilized heaters are used for second, third and fourth harmonic generation. Harmonic separation system is designed to ensure high spectral purity of radiation and direct it to the output ports.

Simple and convenient laser control

For customer convenience the amplifier can be controlled through remote control pad or USB interface. Alternatively, the amplifier can be controlled from personal computer with supplied software for Windows™ operating system. LabVIEW™ drivers are supplied as well.

APL2200 series available models

Model	Features
APL2201	Delivers 10 mJ, 90 ps pulses at up to 1 kHz repetition rate
APL2203	Delivers 30 mJ, 90 ps pulses at up to 1 kHz repetition rate
APL2205	Delivers 60 mJ, 90 ps pulses at up to 1 kHz repetition rate
APL2206	Delivers 150 mJ, 90 ps pulses at up to 1 kHz repetition rate

High Energy kHz Repetition Rate Picosecond Amplifiers

FEATURES

- ▶ High pulse energy at kHz rates
- ▶ Diode pumped **solid state design**
- ▶ Cooled by supplied chiller – tap water is not required
- ▶ **Low maintenance costs**
- ▶ Remote control pad
- ▶ PC control via USB with supplied LabVIEW™ drivers
- ▶ Optional temperature stabilized second, third and fourth harmonic generators

APPLICATIONS

- ▶ OPG/OPA pumping
- ▶ OPCPA pumping
- ▶ Other spectroscopic and nonlinear optics applications...

SPECIFICATIONS ¹⁾

Model	APL2201	APL2203	APL2205	APL2206
Output energy				
at 1064 nm	10 mJ	30 mJ	60 mJ	150 mJ
at 532 nm ²⁾	5 mJ	15 mJ	30 mJ	70 mJ
at 355 nm ³⁾	3 mJ	10 mJ	20 mJ	inquire
at 266 nm ⁴⁾	1 mJ	2.5 mJ	4 mJ	inquire
Pulse energy stability (StdDev) ⁵⁾				
at 1064 nm	1 %			
at 532 nm	1.5 %			
at 355 nm	2 %			
at 266 nm	4 %			
Pulse duration (FWHM) ⁶⁾				
90±10 ps				
Pulse repetition rate ⁷⁾				
1000 Hz				
Triggering mode				
external				
Spatial mode ⁸⁾				
super-Gaussian				
Beam divergence ⁹⁾				
<1 mrad	<0.7 mrad			
Typical beam diameter ¹⁰⁾				
~3 mm	~5 mm	~6 mm	~7 mm	
Beam pointing stability ¹¹⁾				
<100 µrad				
Pre-pulse contrast				
>100 : 1				
Polarization				
linear, >95 %				
INPUT				
Wavelength				
1064 nm				
Pulse duration range (FWHM)				
20 fs – 90 ps				
Pulse repetition rate				
50 – 95 MHz				
Average power				
>20 mW				
PHYSICAL CHARACTERISTICS				
Laser head size (W×L×H)	455 × 1035 × 242 mm	900 × 1500 × 350 mm	1200 × 2200 × 350 mm	TBA
Power supply size (W×L×H)	550 × 600 × 680 mm	550 × 600 × 1100 mm	550 × 600 × 1030 mm	TBA
Chiller size (W×L×H)	400 × 430 × 790 mm	400 × 430 × 790 mm	500 × 500 × 850 mm	600 × 600 × 600 mm
OPERATING REQUIREMENTS				
Water service	not required, air-cooled			water-cooled
Relative humidity	20–80 % (non condensing)			
Operating ambient temperature	22±2 °C			
Mains voltage	208 or 230 V AC, single phase, 50/60 Hz			208 or 230 V AC, three phases, 50/60 Hz
Power rating ¹²⁾	<1 kVA	<2.5 kVA	<5 kVA	<14 kVA

- ¹⁾ Due to continuous improvement, all specifications are subject to change. Parameters marked typical are illustrative; they are indications of typical performance and will vary with each unit we manufacture. Unless stated otherwise, all specifications are measured at 1064 nm.
- ²⁾ For APL210x-SH and APL210x-SH/FH options. Outputs are not simultaneous.
- ³⁾ For APL210x-TH option. Outputs are not simultaneous.
- ⁴⁾ For APL210x-SH/FH option. Outputs are not simultaneous.
- ⁵⁾ Averaged from pulses, emitted during 30 sec time interval.

- ⁶⁾ Optional 30 ps duration. Inquire for pulse energies.
- ⁷⁾ Should be specified when ordering. Inquire for custom pulse repetition rates.
- ⁸⁾ Gaussian fit >80%.
- ⁹⁾ Full angle measured at the 1/e² level at 1064 nm.
- ¹⁰⁾ Beam diameter is measured at 1064 nm at the 1/e² level.
- ¹¹⁾ Value measured from 300 shots.
- ¹²⁾ Required current rating can be calculated by dividing power rating by mains voltage.



OPTIONS

- **Option P30** provides 30 ± 3 ps output pulse duration. Contact EKSPLA for pulse energy specifications.

BEAM PROFILE

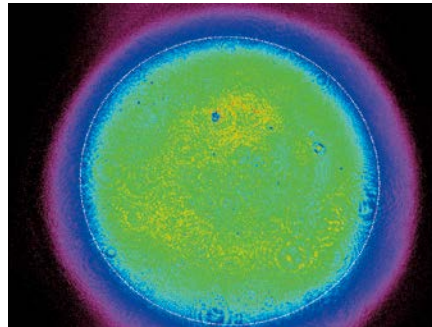


Fig 1. Typical beam profile at APL2200 amplifier output

OPTICAL LAYOUT

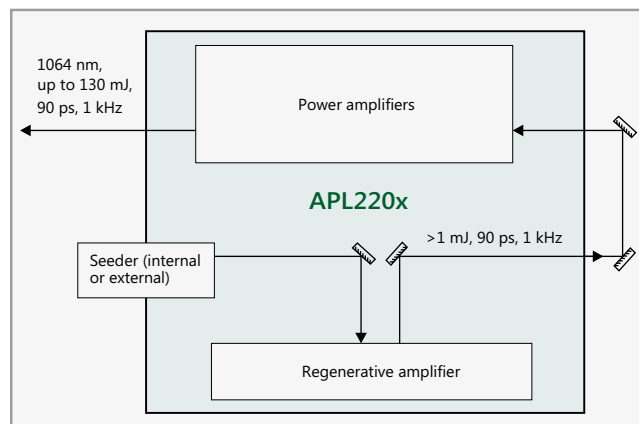


Fig 2. Block optical layout of APL2200 series amplifier

ORDERING INFORMATION

Recommended seed laser for 90 ps is PL2210B. For 30 ps pulse duration use PL2210A as seed laser.

Note: Laser must be connected to the mains electricity all the time. If there will be no mains electricity for longer than 1 hour then laser (system) needs warm up for a few hours before switching on.

APL2201-P90-1K-SH/TH/FH

