

Crystal Oven & Thermocontroller

KK1 & TK2 SERIES



Thermocontroller TK2

KK1 crystal oven and TK2 external thermocontroller form an optimal set for precise nonlinear crystal's temperature control up to 200 °C. The KK1+TK2 crystal oven and thermocontroller duo is designed for a wide range of nonlinear crystals: KTP, LBO, CLBO, BBO, KDP, DKDP, LiNbO₃. These nonlinear crystals are used for frequency conversion of a laser beam for SHG, THG, OPO, SFG and DFG applications. KK1+TK2 crystal oven and thermocontroller set ensures efficient phase matching, mitigation of water absorption and prevention of absorption peaks in nonlinear crystals.

The external thermocontroller TK2 has two independent outputs and can control up to two KK1 30 ovens simultaneously. The thermocontroller is equipped with LAN and USB control interfaces and an internal

power supply. The nonlinear crystal is mounted into an adapter before being inserted into the oven KK1. A unique spring-loaded adapter design ensures effortless insertion and replacement of the crystal. The nonlinear crystal can be covered from both ends with fused silica windows for extra protection upon customer's request. The standard adapters can be either 30 mm or 50 mm long with apertures up to 12×12 mm. KK1 crystal oven by default contains one adapter for the specific crystal size. Each adapter is designed specifically for a given crystal aperture size and cannot accommodate different-sized crystals. Adapters for crystals of different sizes can be ordered separately. Additionally, Ekspla can also provide adapter H4 for KK1 crystal oven's mounting on a tilt stage.

FEATURES

- ▶ High heating temperature (up to 200 °C)
- ▶ High temperature accuracy (± 0.5 °C)
- ▶ Effortless insertion spring-loaded adapter
- ▶ Extra-safe fused silica windows option
- ▶ Robust crystal oven's design

APPLICATIONS

- ▶ Frequency conversion of a laser beam for SHG, THG, OPO, SFG and DFG



Crystal oven KK1-30



Thermocontroller TK2 front side

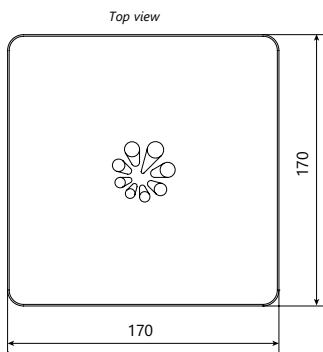
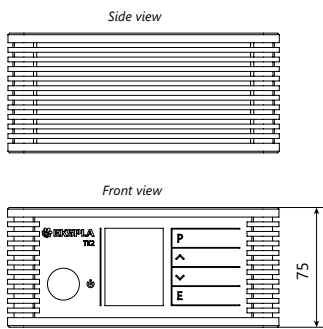


Thermocontroller TK2 back side

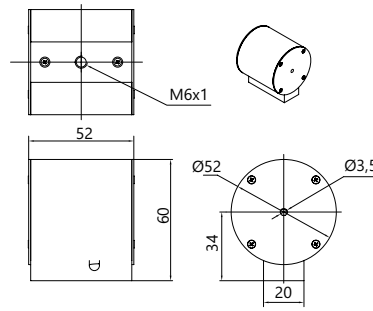
SPECIFICATIONS

Model	TK2 + KK1-30	TK2 + KK1-50
Temperature range	From room temperature to 200 °C	
Maximum crystal dimensions	12×12×30 mm	12×12×50 mm
Temperature tuning step	0.05 °C	
Accuracy	± 0.5 °C	
Long-term stability	± 0.05 °C	
Control interfaces	LAN, USB	
Power supply requirements	90 – 264 V, 47 – 63 Hz	
Power consumption	< 50 W	
Oven dimensions, Dia×D	Ø52×52 mm	Ø52×72 mm
Quantity of ovens possible to connect to one controller TK2	2	1
Accessories	Wall plug power supply (included by default), H4 mounting adapter (included upon request)	

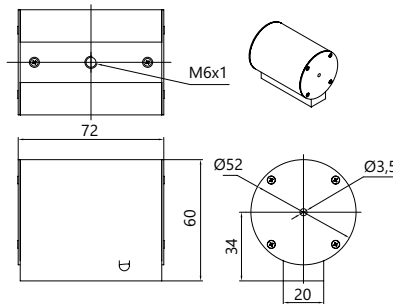
DRAWINGS



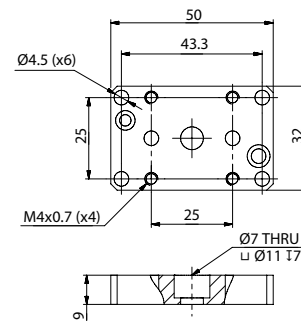
Outline drawing of thermocontroller TK2



Outline drawing of oven KK1-30



Outline drawing of oven KK1-50



Adapter H4 for KK1 mounting on tilt stage