

## MA SERIES PUMP CHAMBERS FOR Nd:YAG ACTIVE ELEMENTS

### FEATURES

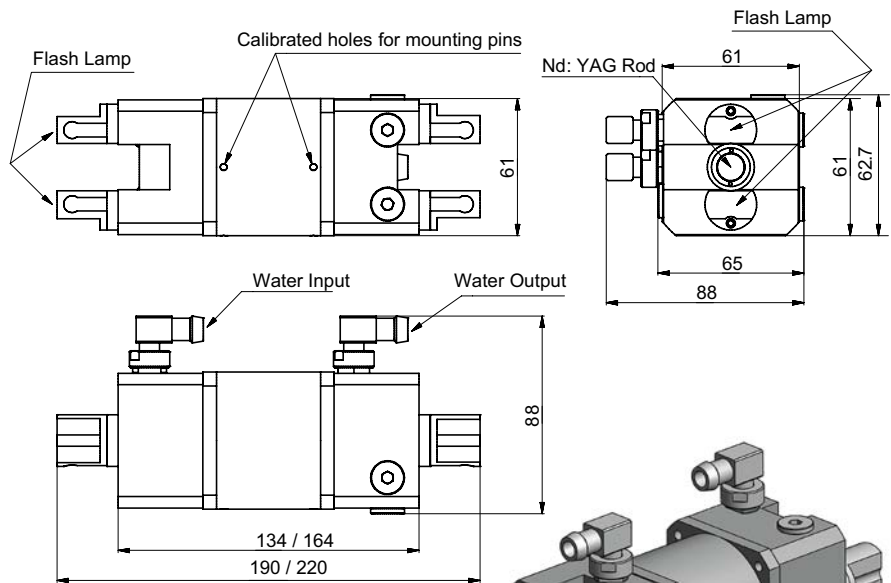
- ▶ FL-58 type flashlamps (5×58mm) for active element pumping
- ▶ O-ring type seals for flashlamp and active element
- ▶ Close coupling design for high pumping efficiency
- ▶ Diffuse high efficiency ceramics reflectors
- ▶ Active element – flashlamp sequential cooling scheme
- ▶ Sm-glass filter for removal of UV radiation
- ▶ Connectors for high voltage wires included
- ▶ Connectors for water hoses (9 (ID)×12(OD)) included
- ▶ Typical stored energy 1% of pump

### SPECIFICATIONS

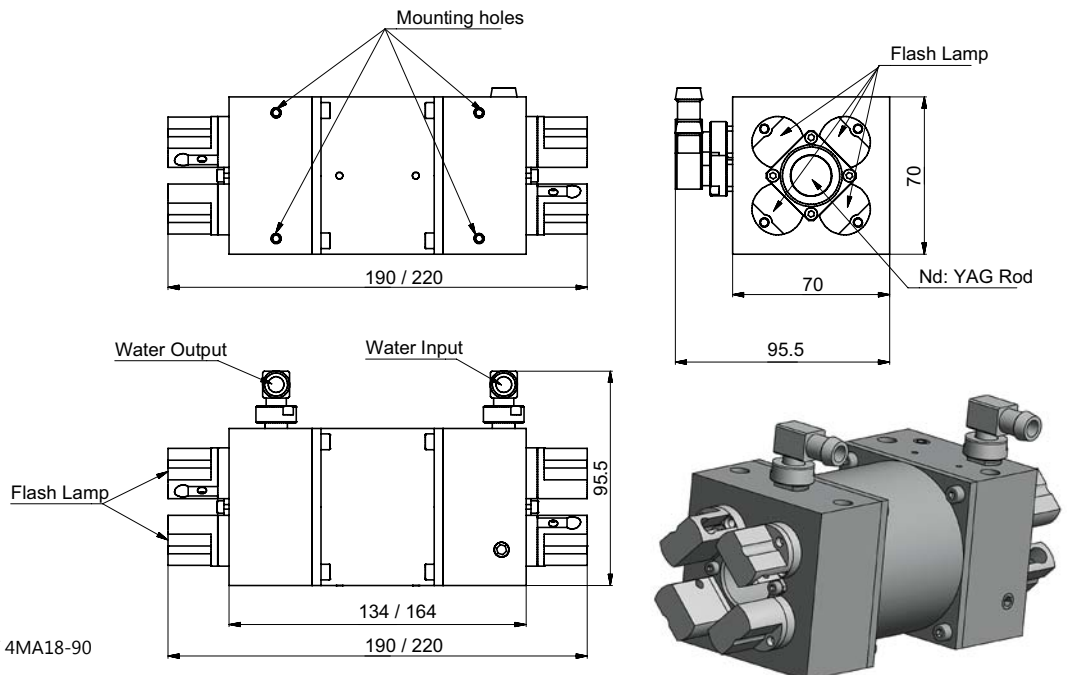
Model	2MA12-58	4MA18-58	4MA25-58
Active element dimensions	Ø12.2 × 85 mm	Ø18.2 × 85 mm	Ø25.2 × 85 mm
Quantity of Flashlamps (Ø5 × 58 mm)	2	4	4

Model	2MA12-90	4MA18-90	4MA25-90
Active element dimensions	Ø12.2 × 115 mm	Ø18.2 × 115 mm	Ø25.2 × 115 mm
Quantity of Flashlamps (Ø5 × 90 mm)	2	4	4

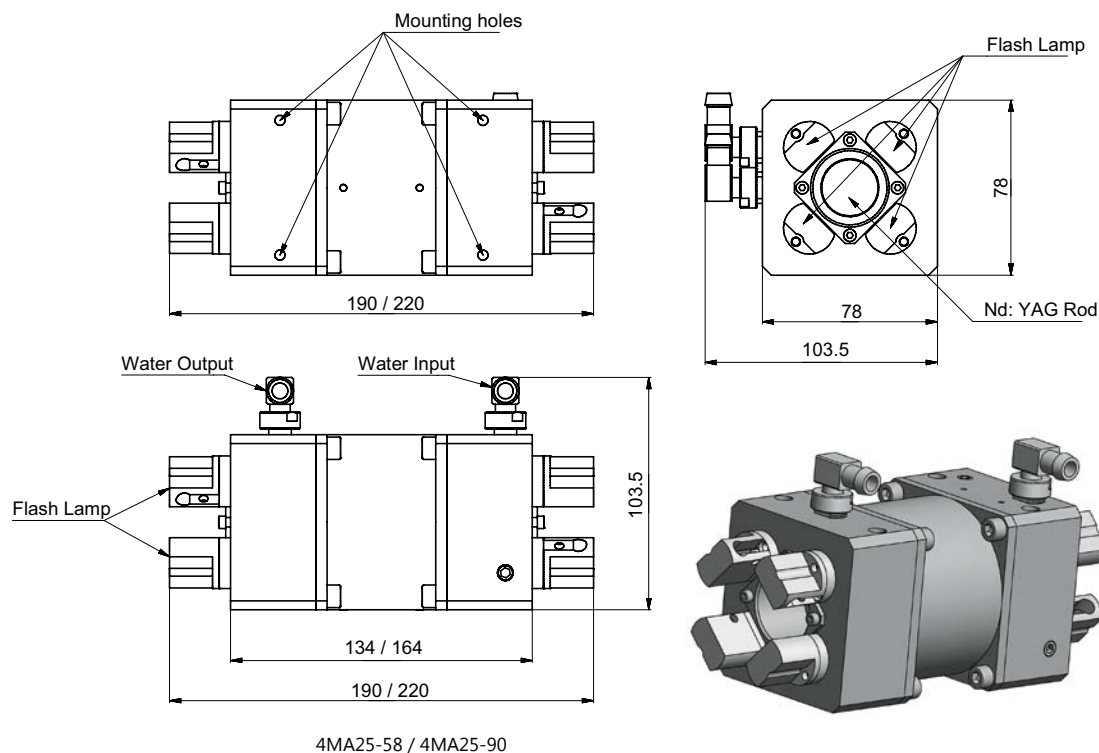
Specifications are subject to changes without advance notice.



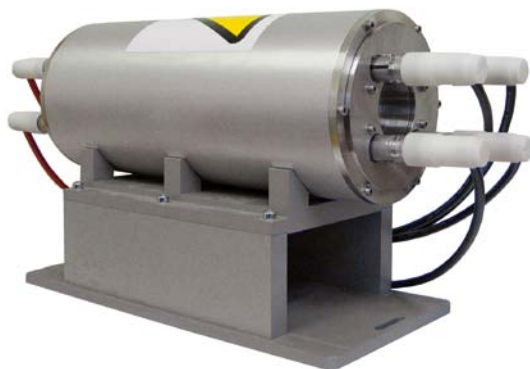
2MA12-58 / 2MA12-90



4MA18-58 / 4MA18-90



## MA SERIES PUMP CHAMBERS FOR HIGH ENERGY GLASS AMPLIFIERS



Four lamp version of pump chamber for 40 x 300 rod size (type MA40-4).

MA series pump chambers for Nd:Glass rods are presented in table below. Customized versions can vary in rod sizes and quantity of flash lamps. PS5140 series power supplies are recommended for driving.

### SPECIFICATIONS

Parameter	MA40-6	MA60-10
Rod size (diameter x length)	40x300 mm	60x300 mm
Type of flashlamp (bore x gap length)	16x250 mm	
Quantity of flashlamps	6	10
Recommended pumping energy (all lamps)	13000 J	22000 J
Beam height	180 mm	
Footprint size (including cable connections)	180x550 mm	
Chamber height (including mounting pad)	255 mm	265 mm