

Atlantic



Atlantic series lasers have been designed as a versatile tool for a variety of industrial material processing applications. They are compact, OEM rugged, with up to 80 W output power at 1064 nm. Featuring short pulse duration Atlantic series lasers offers minimized thermal damage to the material, what is becoming more and more important in wide range of industries: photovoltaics, electronics, biomedicine, automotive.

Innovative design, employing fiber based oscillator ensured excellent output beam parameters: $M^2 < 1.3$ with pulse energy fluctuations $< 1\%$. All optical components are placed into sealed monolithic block thus ensuring reliable 24/7 operation.

High, up to 1 MHz repetition rate, combined with low maintenance requirements establishes this laser as good choice for industrial, high throughput material processing

systems, requiring speed and precision. Optical components are installed in a robust, precisely machined monolithic aluminum block, which could be used as a separate module for customized solutions. The system is sealed to provide long term stable operation in manufacturing environments. Designed for robust, low maintenance operation, the Atlantic offers maximum reliability due to an optimized layout, PC controlled operation, a built-in self-diagnostics system and advanced status reporting. Superior beam quality allows easy focusing of the laser beam into the smallest spot size at various working distances and enables processing of practically any material.

The Atlantic series has been designed as a low-maintenance-costs solution. All replacement of consumables can be performed at user facilities by trained technicians.

Industrial High Power Picosecond Lasers

FEATURES

- ▶ Up to **80 W** at **1064 nm** output power
- ▶ Up to **1 MHz** repetition rate
- ▶ Up to **200 μ J** pulse energy
- ▶ Short pulse duration **10 ps**
- ▶ Excellent beam quality $M^2 < 1.3$
- ▶ Individual pulse control
- ▶ Smart triggering for synchronous operation with polygon scanner
- ▶ Compact, sealed and rugged design
- ▶ Low maintenance
- ▶ Single-phase powering
- ▶ No external cooling water

APPLICATIONS

- ▶ Drilling
- ▶ Cutting
- ▶ Patterning
- ▶ Structuring
- ▶ Ablation
- ▶ Micromachining

SPECIFICATIONS ¹⁾

Atlantic 20

	Atlantic 20-1064	Atlantic 20-532	Atlantic 20-355
GENERAL SPECIFICATIONS			
Wavelength	1064 nm	532 nm ²⁾	355 nm ²⁾
Repetition rate ³⁾	200 kHz to 1000 kHz (tunable within full range) 30 kHz to 1000 kHz (fixed at single frequency)		
Average output power at 200 kHz ⁴⁾	> 20 W	> 12 W	> 6 W
Pulse energy at 200 kHz ⁵⁾	> 100 µJ	> 60 µJ	> 30 µJ
Pulse energy contrast	> 100 : 1	> 500 : 1	> 1000 : 1
Power fluctuations over 8 h after warm-up (Std. dev.)	< 1.0 %		
Pulse energy stability at 200 kHz (Std. dev.)	< 1.0 %	< 2.0 %	< 2.5 %
Pulse duration (FWHM) ⁶⁾	10 ± 3 ps		
Polarization	linear, vertical 100 : 1		
M ²	< 1.3		
Beam circularity (far field)	> 0.85		
Beam divergence (full angle)	< 1.5 mRad	< 1.0 mRad	< 1.0 mRad
Beam pointing stability (pk-to-pk) ⁷⁾	< 50 µRad		
Beam diameter (1/e ²) at 50 cm distance from laser aperture	1.7 ± 0.3 mm	1.3 ± 0.3 mm	1.3 ± 0.3 mm
Triggering mode	internal / external		
Pulse output control	frequency divider (down to single shot), arbitrary pulse selection, power attenuation		
Control	keypad / USB		
OPERATING REQUIREMENTS			
Mains requirements	208/230 V AC selectable, single phase 50 or 60 Hz		
Power	< 2.8 kW		
Operating ambient temperature	18–27 °C		
Operating temperature stability within the operating temperature band	< ± 2 °C		
Relative humidity	10–80 % (non-condensing)		
Air contamination level	ISO 9 (room air) or better		
PHYSICAL CHARACTERISTICS			
Laser head size (W × H × L)	364 × 190 × 720 mm	364 × 190 × 891 mm	
Power supply unit size (W × H × L)	553 × 1019 × 867 mm		
Umbilical length	4 m		
CLASSIFICATION			
Classification according EN60825-1	CLASS 4 laser product		

¹⁾ Due to continuous improvement, all specifications are subject to change without notice. Parameters marked typical are not specifications. They are indications of typical performance and will vary with each unit we manufacture. Unless stated otherwise, all specifications are measured at 1064 nm.

²⁾ Fundamental wavelength and lower harmonics are also available with full specifications. Automatically switched outputs.

³⁾ Pulse repetition rate can be factory pre-set to single requested frequency or tunable in all specified range. Lower pulse repetition rates are available using pulse gating system (included in standard configuration).

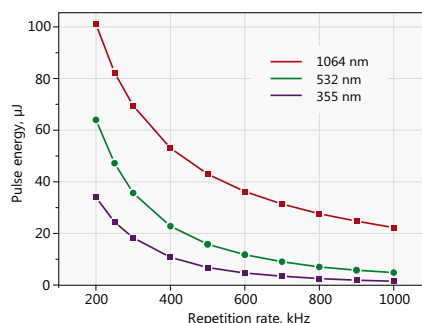
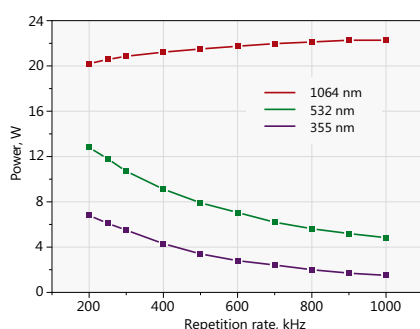
⁴⁾ See typical power curve for other pulse repetition rates.

⁵⁾ See typical energy curve for other pulse repetition rates. Maximal energies at lowest fixed pulse repetition rates are 200 µJ at 1064 nm, 120 µJ at 532 nm, 75 µJ at 355 nm.

⁶⁾ Measured at 1064 nm fundamental wavelength.

⁷⁾ Defined as short term < 2 min beam angular stability.

PERFORMANCE



SPECIFICATIONS ¹⁾

Atlantic 40

	Atlantic 40-1064	Atlantic 40-532	Atlantic 40-355
GENERAL SPECIFICATIONS			
Wavelength	1064 nm	532 nm ²⁾	355 nm ²⁾
Repetition rate ³⁾	300 kHz to 1000 kHz (tunable within full range) 200 kHz to 1000 kHz (fixed at single frequency)		
Average output power at 300 kHz ⁴⁾	> 40 W	> 20 W	> 12 W
Pulse energy at 300 kHz ⁵⁾	> 130 µJ	> 70 µJ	> 40 µJ
Pulse energy contrast	> 100 : 1	> 500 : 1	> 1000 : 1
Power fluctuations over 8 h after warm-up (Std. dev.)	< 1.0 %		
Pulse energy stability at 300 kHz (Std. dev.)	< 1.0 %	< 2.0 %	< 2.5 %
Pulse duration (FWHM) ⁶⁾	10 ± 3 ps		
Polarization	linear, vertical 100 : 1		
M ²	< 1.3		
Beam circularity (far field)	> 0.85		
Beam divergence (full angle)	< 1.5 mRad	< 1.0 mRad	< 1.0 mRad
Beam pointing stability (pk-to-pk) ⁷⁾	< 50 µRad		
Beam diameter (1/e ²) at 50 cm distance from laser aperture	1.7 ± 0.3 mm	1.4 ± 0.3 mm	1.4 ± 0.3 mm
Triggering mode	internal / external		
Pulse output control	frequency divider (down to single shot), arbitrary pulse selection, power attenuation		
Control	keypad / USB		
OPERATING REQUIREMENTS			
Mains requirements	208/230 V AC selectable, single phase 50 or 60 Hz		
Power	< 3.1 kW		
Operating ambient temperature	18–27 °C		
Operating temperature stability within the operating temperature band	< ± 2 °C		
Relative humidity	10–80 % (non-condensing)		
Air contamination level	ISO 9 (room air) or better		
PHYSICAL CHARACTERISTICS			
Laser head size (W × H × L)	364 × 190 × 720 mm	364 × 190 × 891 mm	
Power supply unit size (W × H × L)	553 × 1019 × 867 mm		
Umbilical length	4 m		
CLASSIFICATION			
Classification according EN60825-1	CLASS 4 laser product		

¹⁾ Due to continuous improvement, all specifications are subject to change without notice. Parameters marked typical are not specifications. They are indications of typical performance and will vary with each unit we manufacture. Unless stated otherwise, all specifications are measured at 1064 nm.

²⁾ Fundamental wavelength and lower harmonics are also available with full specifications. Automatically switched outputs.

³⁾ Pulse repetition rate can be factory pre-set to single requested frequency or tunable in all specified range. Lower pulse repetition rates are available using pulse gating system (included in standard configuration).

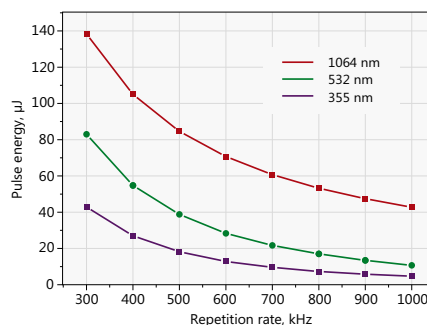
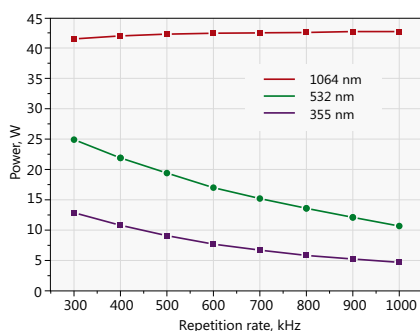
⁴⁾ See typical power curve for other pulse repetition rates.

⁵⁾ See typical energy curve for other pulse repetition rates. Maximal energies at lowest fixed pulse repetition rates are 200 µJ at 1064 nm, 100 µJ at 532 nm, 60 µJ at 355 nm.

⁶⁾ Measured at 1064 nm fundamental wavelength.

⁷⁾ Defined as short term < 2 min. beam angular stability.

PERFORMANCE



SPECIFICATIONS ¹⁾

Atlantic 60

	Atlantic 60-1064	Atlantic 60-532	Atlantic 60-355
GENERAL SPECIFICATIONS			
Wavelength	1064 nm	532 nm ²⁾	355 nm ²⁾
Repetition rate ³⁾	400 kHz to 1000 kHz (tunable within full range) 300 kHz to 1000 kHz (fixed at single frequency)		
Average output power at 400 kHz ⁴⁾	> 60 W	> 35 W	> 20 W
Pulse energy at 400 kHz ⁵⁾	> 150 µJ	> 85 µJ	> 50 µJ
Pulse energy contrast	> 100 : 1	> 500 : 1	> 1000 : 1
Power fluctuations over 8 h after warm-up (Std. dev.)	< 1.0 %		
Pulse energy stability at 400 kHz (Std. dev.)	< 1.0 %	< 2.0 %	< 2.5 %
Pulse duration (FWHM) ⁶⁾	10 ± 3 ps		
Polarization	linear, vertical 100 : 1		
M ²	< 1.3		
Beam circularity (far field)	> 0.85		
Beam divergence (full angle)	< 1.5 mRad	< 1.0 mRad	< 1.0 mRad
Beam pointing stability (pk-to-pk) ⁷⁾	< 50 µRad		
Beam diameter (1/e ²) at 50 cm distance from laser aperture	1.7 ± 0.3 mm	1.5 ± 0.3 mm	1.5 ± 0.3 mm
Triggering mode	internal / external		
Pulse output control	frequency divider (down to single shot), arbitrary pulse selection, power attenuation		
Control	keypad / USB		
OPERATING REQUIREMENTS			
Mains requirements	208/230 V AC selectable, single phase 50 or 60 Hz		
Power	< 3.5 kW		
Operating ambient temperature	18–27 °C		
Operating temperature stability within the operating temperature band	< ± 2 °C		
Relative humidity	10–80 % (non-condensing)		
Air contamination level	ISO 9 (room air) or better		
PHYSICAL CHARACTERISTICS			
Laser head size (W × H × L)	364 × 190 × 720 mm	364 × 190 × 891 mm	
Power supply unit size (W × H × L)	553 × 1019 × 867 mm		
Umbilical length	4 m		
CLASSIFICATION			
Classification according EN60825-1	CLASS 4 laser product		

¹⁾ Due to continuous improvement, all specifications are subject to change without notice. Parameters marked typical are not specifications. They are indications of typical performance and will vary with each unit we manufacture. Unless stated otherwise, all specifications are measured at 1064 nm.

²⁾ Fundamental wavelength and lower harmonics are also available with full specifications. Automatically switched outputs.

³⁾ Pulse repetition rate can be factory pre-set to single requested frequency or tunable in all specified range. Lower pulse repetition rates are available using pulse gating system (included in standard configuration).

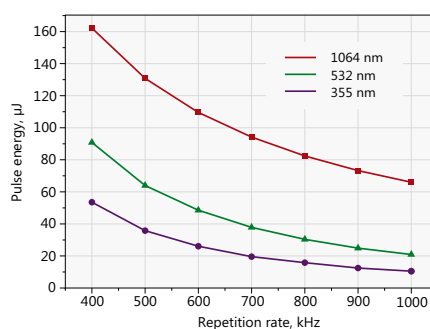
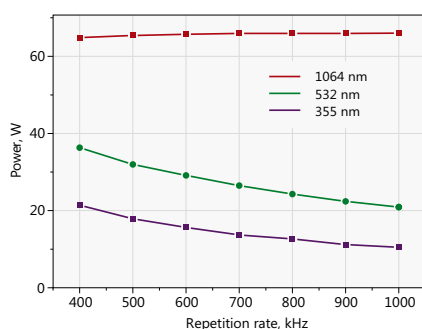
⁴⁾ See typical power curve for other pulse repetition rates.

⁵⁾ See typical energy curve for other pulse repetition rates. Maximal energies at lowest fixed pulse repetition rates are 200 µJ at 1064 nm, 120 µJ at 532 nm, 65 µJ at 355 nm.

⁶⁾ Measured at 1064 nm fundamental wavelength.

⁷⁾ Defined as short term < 2 min. beam angular stability.

PERFORMANCE

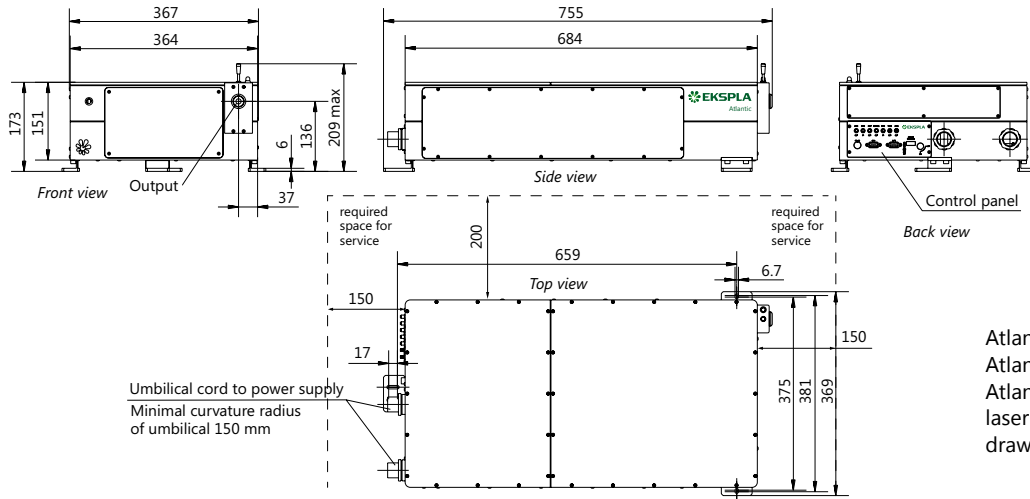


LASER HEAD IMAGE

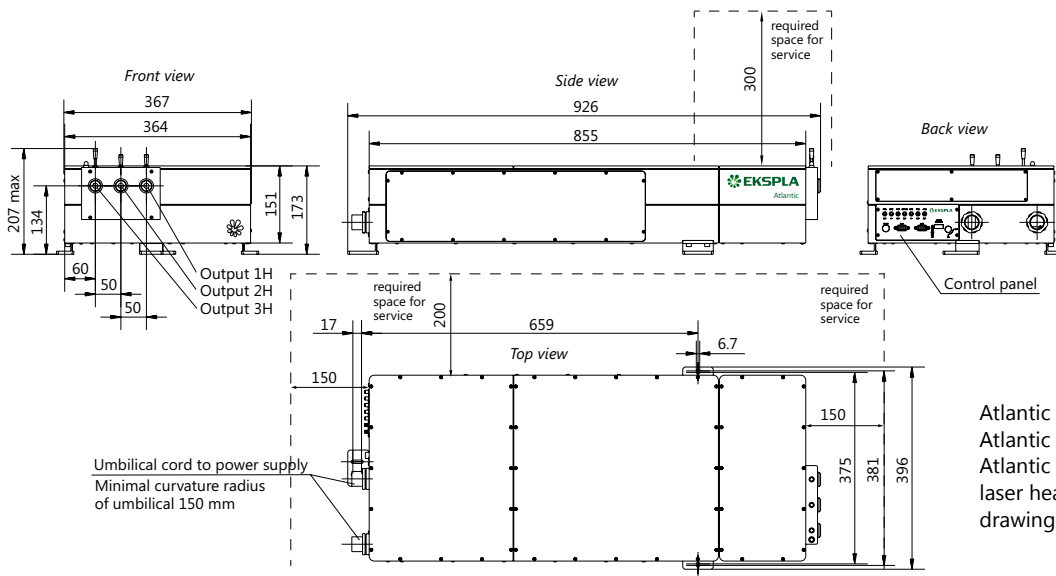


Typical view of Atlantic 20/40/60 laser head

LASER HEAD OUTLINE DRAWINGS

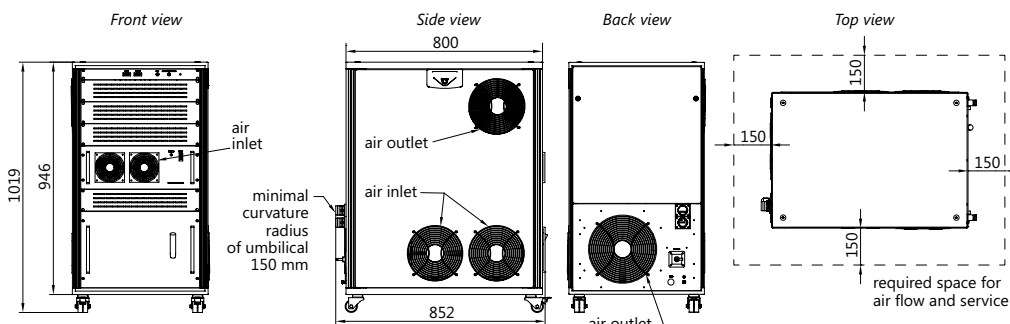


Atlantic 20-1064,
Atlantic 40-1064,
Atlantic 60-1064
laser head outline drawings



Atlantic 20-532/355,
Atlantic 40-532/355,
Atlantic 60-532/355
laser head outline drawings

POWER SUPPLY OUTLINE DRAWINGS



Atlantic 20-1064/532/355,
Atlantic 40-1064/532/355,
Atlantic 60-1064/532/355
power supply outline drawings

SPECIFICATIONS ¹⁾

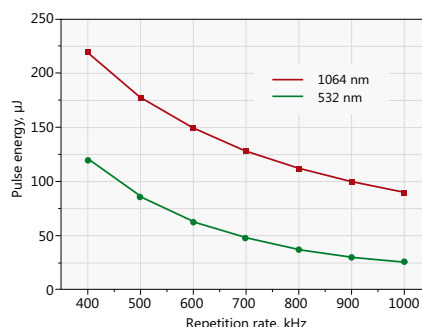
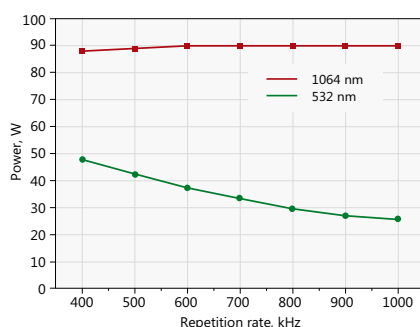
Atlantic 80

	Atlantic 80-1064	Atlantic 80-532
GENERAL SPECIFICATIONS		
Wavelength	1064 nm	532 nm ²⁾
Repetition rate ³⁾	400 kHz to 1000 kHz (tunable within full range)	
Average output power at 400 kHz ⁴⁾	> 80 W	> 45 W
Pulse energy at 400 kHz ⁵⁾	> 200 µJ	> 110 µJ
Pulse energy contrast	> 100 : 1	> 500 : 1
Power fluctuations over 8 h after warm-up when RT < ±2 °C (Std. dev.)	< 1.0 %	
Pulse energy stability at 400 kHz (Std. dev.)	< 1.0 %	< 2.0 %
Pulse duration (FWHM) ⁶⁾	10 ± 3 ps	
Polarization	linear, vertical 100 : 1	
M ²	< 1.3	
Beam circularity (far field)	> 0.85	
Beam divergence (full angle)	< 1.5 mRad	< 1.0 mRad
Beam pointing stability (pk-to-pk) ⁷⁾	< 50 µRad	
Beam diameter (1/e ²) at 50 cm distance from laser aperture	1.8 ± 0.3 mm	2.0 ± 0.3 mm
Triggering mode	internal / external	
Pulse output control	frequency divider (down to single shot), arbitrary pulse selection, power attenuation	
Control	keypad / USB	
OPERATING REQUIREMENTS		
Mains requirements	208/230 V AC selectable, single phase 50 or 60 Hz	
Power	< 3.5 kW	
Operating ambient temperature	18–27 °C	
Operating temperature stability within the operating temperature band	< ± 2 °C	
Relative humidity	10–80 % (non-condensing)	
Air contamination level	ISO 9 (room air) or better	
PHYSICAL CHARACTERISTICS		
Laser head size (W × H × L)	364 × 190 × 720 mm	364 × 190 × 891 mm
Power supply unit size (W × H × L)	553 × 1019 × 867 mm	
Umbilical length	4 m	
CLASSIFICATION		
Classification according EN60825-1	CLASS 4 laser product	

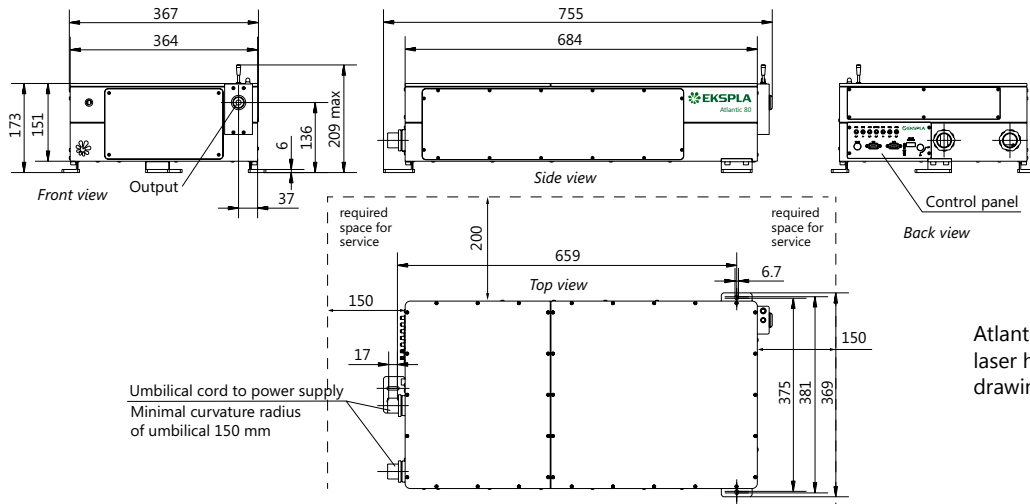
¹⁾ Due to continuous improvement, all specifications are subject to change without notice. Parameters marked typical are not specifications. They are indications of typical performance and will vary with each unit we manufacture. Unless stated otherwise, all specifications are measured at 1064 nm.

²⁾ Fundamental wavelength is also available with full specifications. Automatically switched outputs.
³⁾ Pulse repetition rate can be factory pre-set to single requested frequency or tunable in all specified range. Lower pulse repetition rates are available using pulse gating system (included in standard configuration).
⁴⁾ See typical power curve for other pulse repetition rates.
⁵⁾ See typical energy curve for other pulse repetition rates.
⁶⁾ Measured at 1064 nm fundamental wavelength.
⁷⁾ Defined as short term < 2 min. beam angular stability.

PERFORMANCE

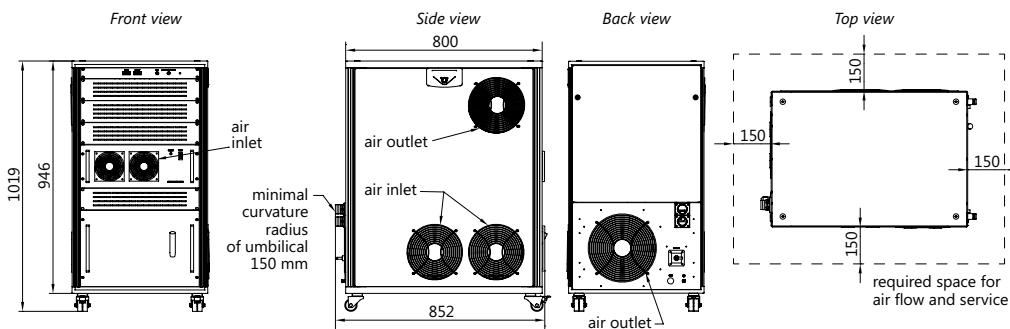


LASER HEAD OUTLINE DRAWINGS



Atlantic 80-1064/532 laser head outline drawings

POWER SUPPLY OUTLINE DRAWINGS



Atlantic 80-1064/532 power supply outline drawings